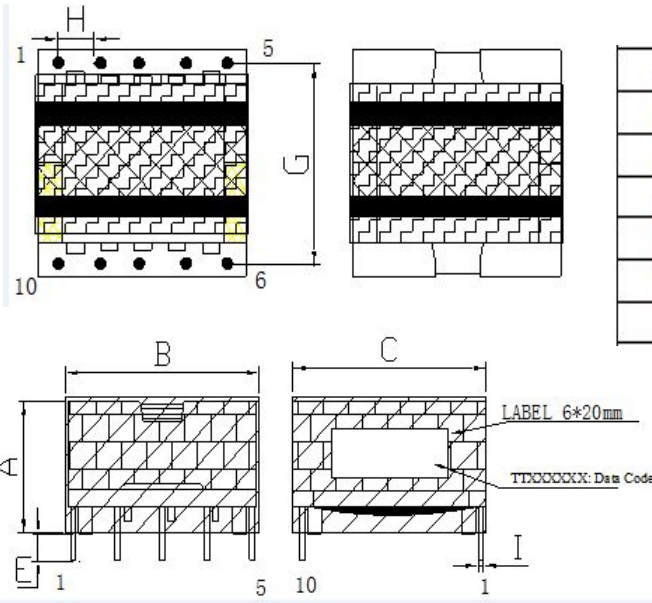


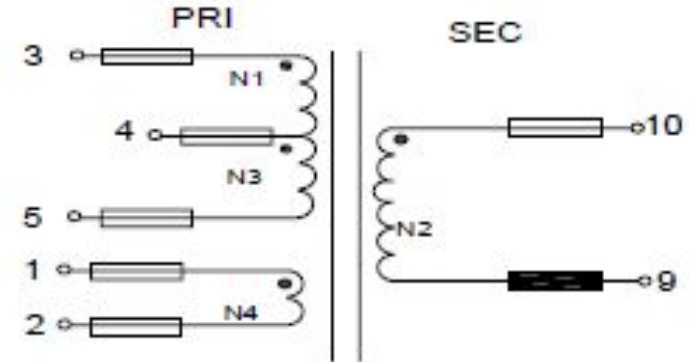
CUSTOMER TERMINAL	ROHS	Lead(Pb)-free
	YES	YES

## 1. Mechanical Dimensions



A	16.0	MAX
B	27.5	MAX
C	27.5	MAX
E	3.5	±0.5
G	22.5	±0.4
H	5.0	±0.3
I	0.7	±0.1

## 2. Schematic Diagram



## 3. Material List

Core:FW44 EFD25/25/9  
 Bobbin:FWB2506(5+5PIN)  
 Wire:2UEW TIW  
 Operating Temperature: -30 to115 °C

## 4. Electrical Specification

Inductance : L(3-5):1.7mH±5% 60KHZ , 1.0V  
 Leakage Inductance : 30uH MAX 60KHZ , 1.0V  
 DCR : (3-5)=2.2Ω MAX (9-10)=104.6mΩ MAX  
 Hi-Pot:P-S: AC 60Hz 4000V 1mA 3S  
 P-CORE: AC 60Hz 500V 1mA 3S

REV.	DATE	 Convention Placement	DRW.	Drawing Title:  <b>TRANSFORMER</b>	Part No:  <b>FWPTEFD25H172J-1</b>
0	00/00		CHK.		
			APP.		
<b>ROHS</b>		<a href="http://www.ferriwo.com">www.ferriwo.com</a>	Customer P/N	Specification Sheet 1of 1	